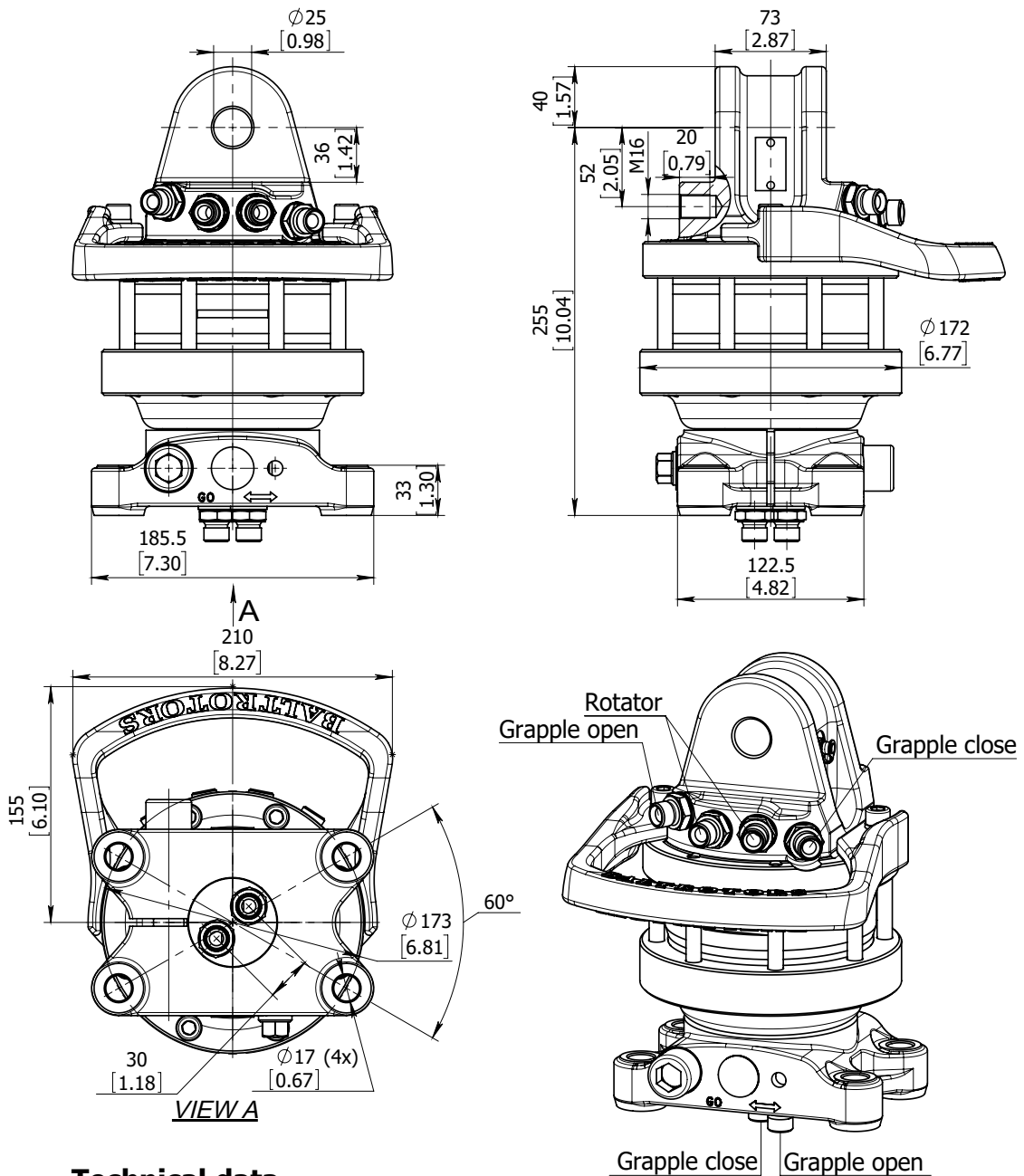


# ROTATOR GR463



## Technical data

|                                       |            |
|---------------------------------------|------------|
| Rotation                              | Unlimited  |
| Max axial load static, KN (lbf)       | 45 (10118) |
| Max axial load dynamic, KN (lbf)      | 25 (5621)  |
| Torque at 25Mpa (3625psi), Nm (lb ft) | 1100 (811) |
| Rec oilflow, l/min (US gallon)        | 20 (5.3)   |
| Weight, kg (lb)                       | 27 (61)    |

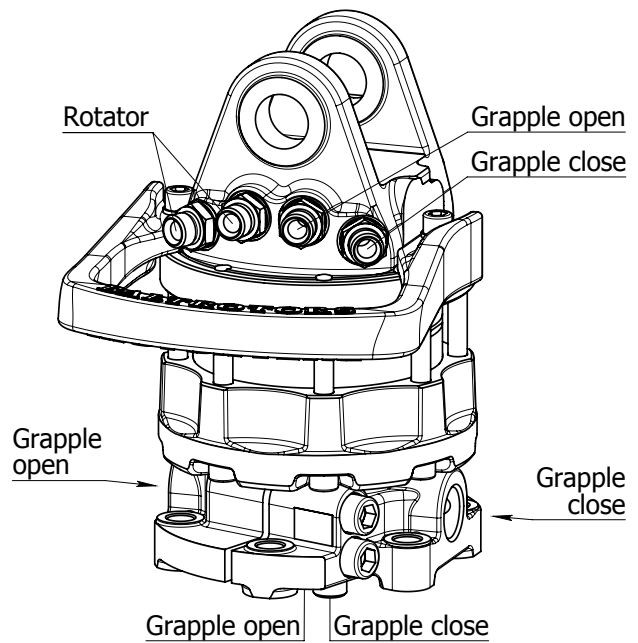
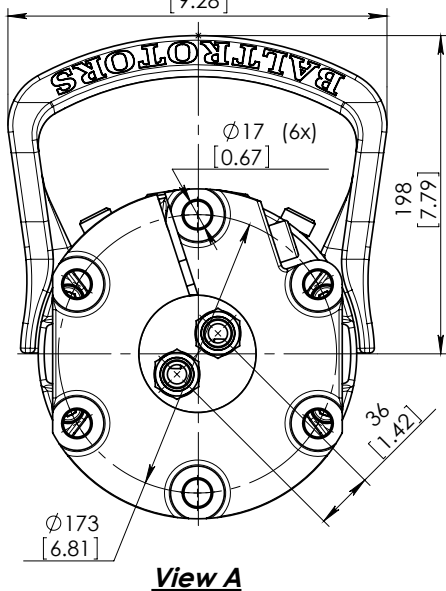
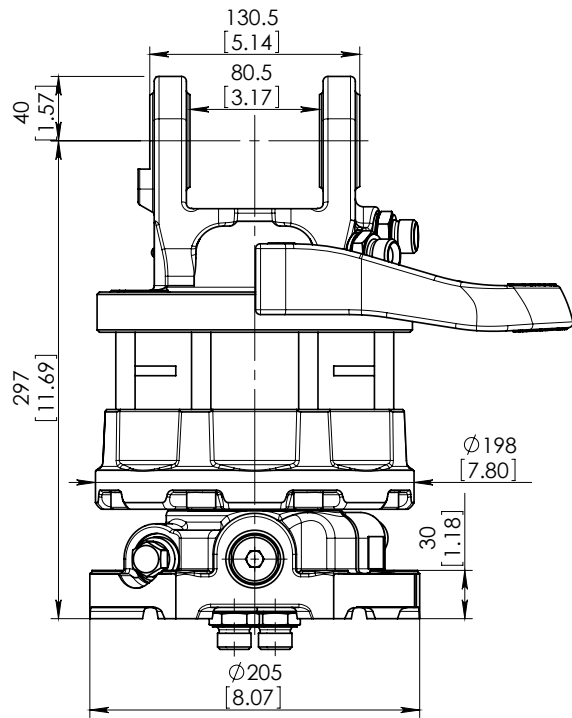
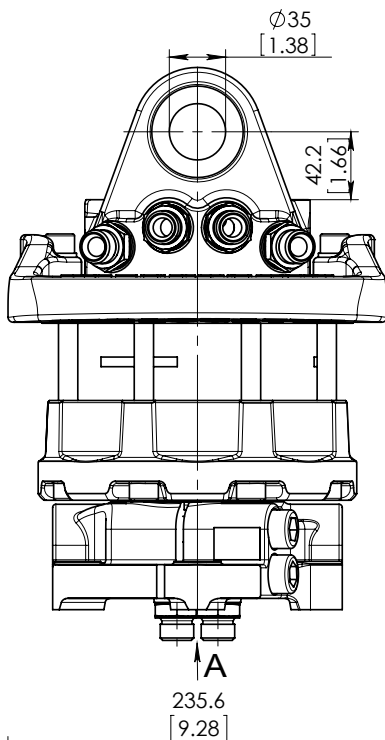
### Max working pressure:

|                      |     |                       |
|----------------------|-----|-----------------------|
| Rotator              | ←R→ | Max 25 MPa (3625 psi) |
| Grapple / Tool open  | ←G→ | Max 20 MPa (2900 psi) |
| Grapple / Tool close | →G← | Max 30 MPa (4350 psi) |

### Connection:

|       |
|-------|
| G 3/8 |
| G 3/8 |
| G 3/8 |

# ROTATOR GR603DB



## Technical data

|                                       |                             |
|---------------------------------------|-----------------------------|
| Rotation                              | Unlimited                   |
| Max axial load static, kN (lbf)       | +60 (13491)<br>- 50 (11242) |
| Max axial load dynamic, kN (lbf)      | +30 (6745)<br>- 25 (5621)   |
| Torque at 25MPa (3625psi), Nm (lb ft) | 1800 (1328)                 |
| Rec oilflow, l/min (US gallon)        | 25 (6.6)                    |
| Weight, kg (lb)                       | 45 (99)                     |

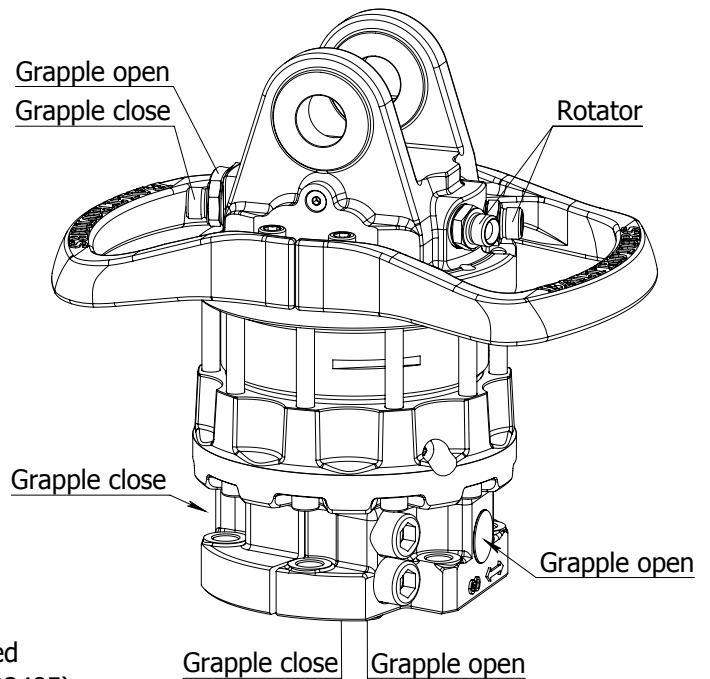
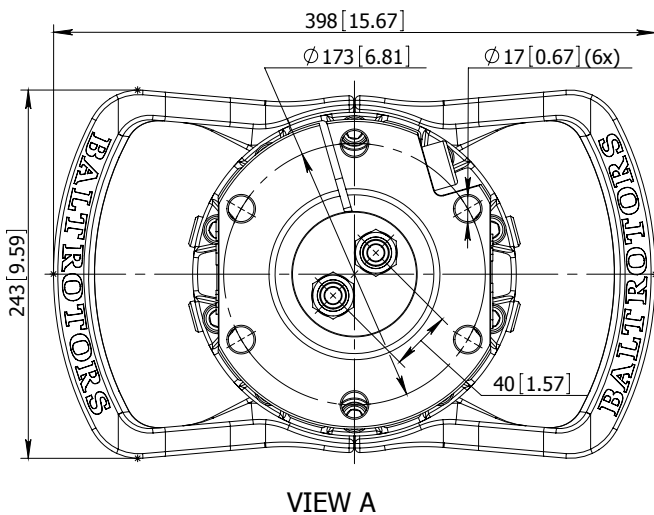
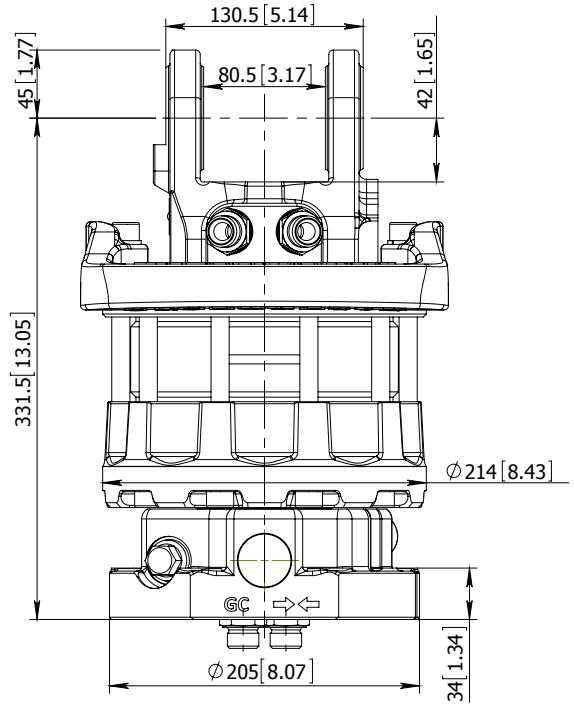
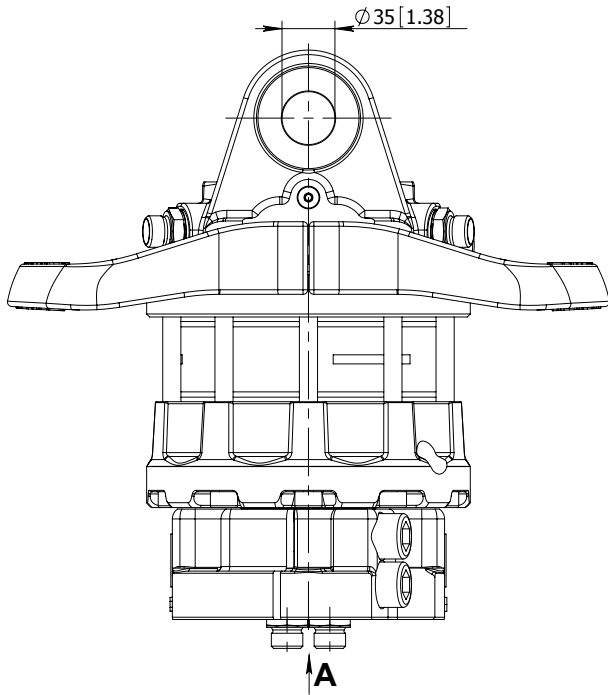
## Max working pressure:

|                      |     |                       |       |
|----------------------|-----|-----------------------|-------|
| Rotator              | ↔R↔ | Max 25 MPa (3625 psi) | G 1/2 |
| Grapple / Tool open  | ↔G↔ | Max 20 MPa (2900 psi) | G 1/2 |
| Grapple / Tool close | →G← | Max 30 MPa (4350 psi) | G 1/2 |

## Connection:

|  |       |
|--|-------|
|  | G 1/2 |
|  | G 1/2 |
|  | G 1/2 |

# ROTATOR GR105DB



## Technical data

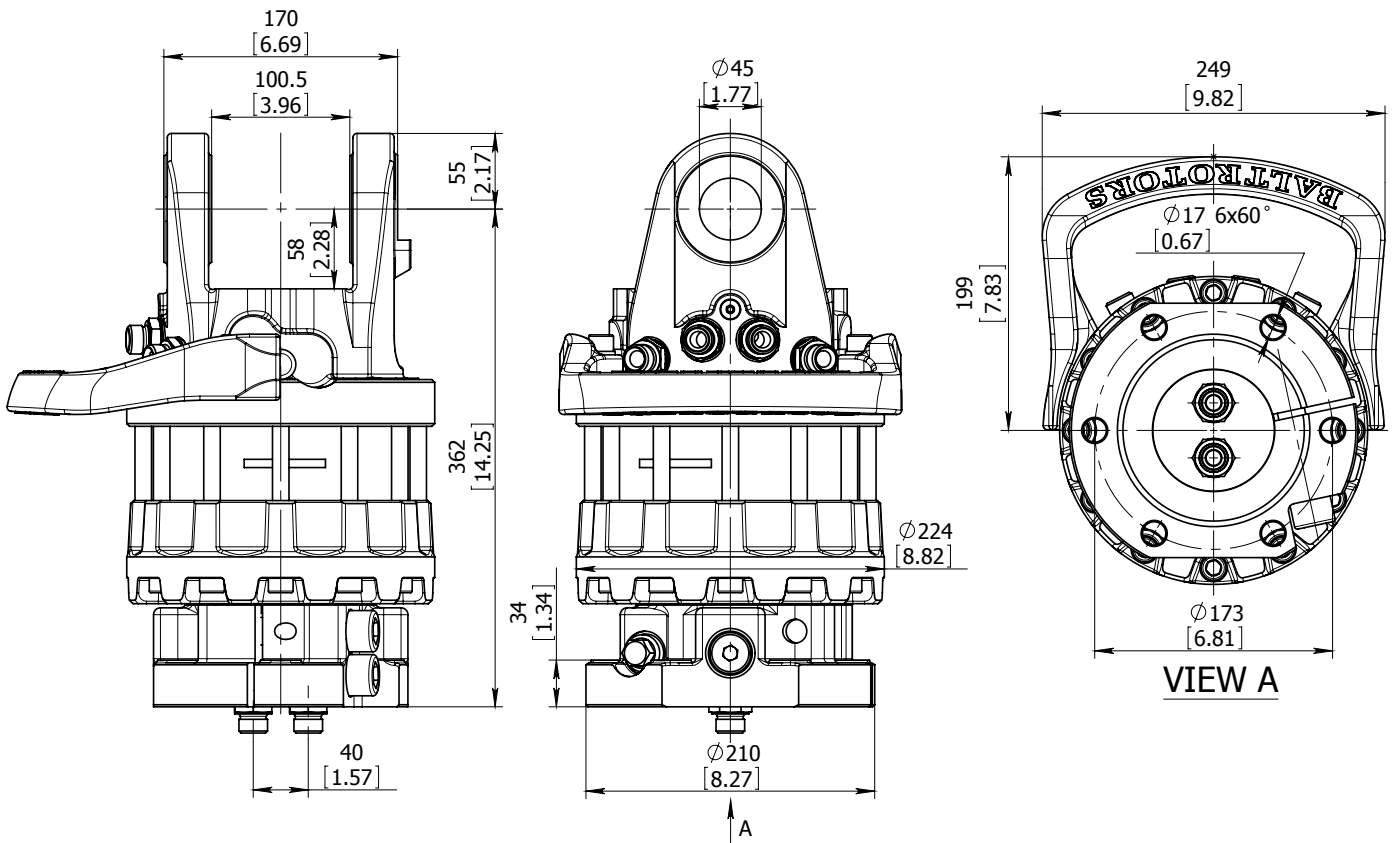
|                                       |                              |
|---------------------------------------|------------------------------|
| Rotation                              | Unlimited                    |
| Max axial load static, KN (lbf)       | +100 (22485)<br>- 80 (17985) |
| Max axial load dynamic, KN (lbf)      | +50 (11242)<br>- 40 (8992)   |
| Torque at 25Mpa (3625psi), Nm (lb ft) | 2500 (1844)                  |
| Rec oilflow, l/min (US gallon)        | 25 (6.6)                     |
| Weight, kg (lb)                       | 62 (137)                     |

## Max working pressure:

|                      |     |                       |       |
|----------------------|-----|-----------------------|-------|
| Rotator              | ←R→ | Max 25 MPa (3625 psi) | G 1/2 |
| Grapple / Tool open  | ←G→ | Max 30 MPa (4350 psi) | G 1/2 |
| Grapple / Tool close | →G← | Max 30 MPa (4350 psi) | G 1/2 |

## Connection:

# ROTATOR GR12S



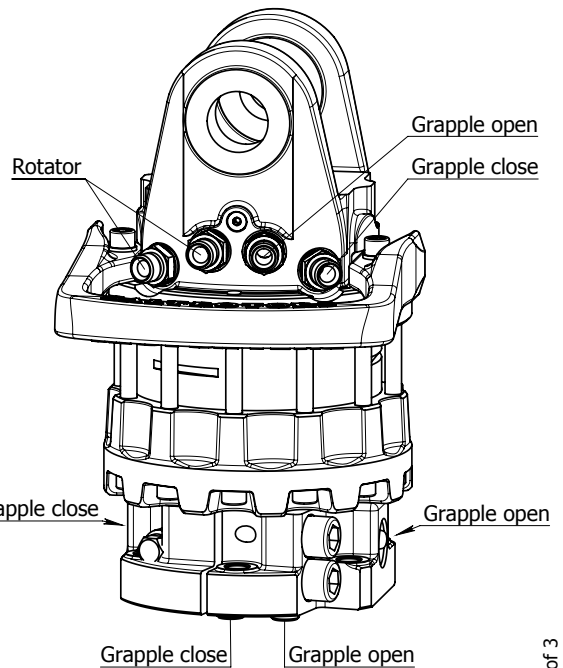
## Technical data

|                                       |                              |
|---------------------------------------|------------------------------|
| Rotation                              | Unlimited                    |
| Max axial load static, KN (lbf)       | +120 (26982)<br>- 90 (20236) |
| Max axial load dynamic, KN (lbf)      | +60 (13491)<br>- 45 (10118)  |
| Torque at 25Mpa (3625psi), Nm (lb ft) | 2900 (2139)                  |
| Rec oilflow, l/min (US gallon)        | 35 (9.25)                    |
| Weight, kg (lb)                       | 70 (154)                     |

### Max working pressure:

|                      |     |                       |       |
|----------------------|-----|-----------------------|-------|
| Rotator              | ←R→ | Max 25 MPa (3625 psi) | G 1/2 |
| Grapple / Tool open  | ←G→ | Max 30 MPa (4350 psi) | G 1/2 |
| Grapple / Tool close | →G← | Max 30 MPa (4350 psi) | G 1/2 |

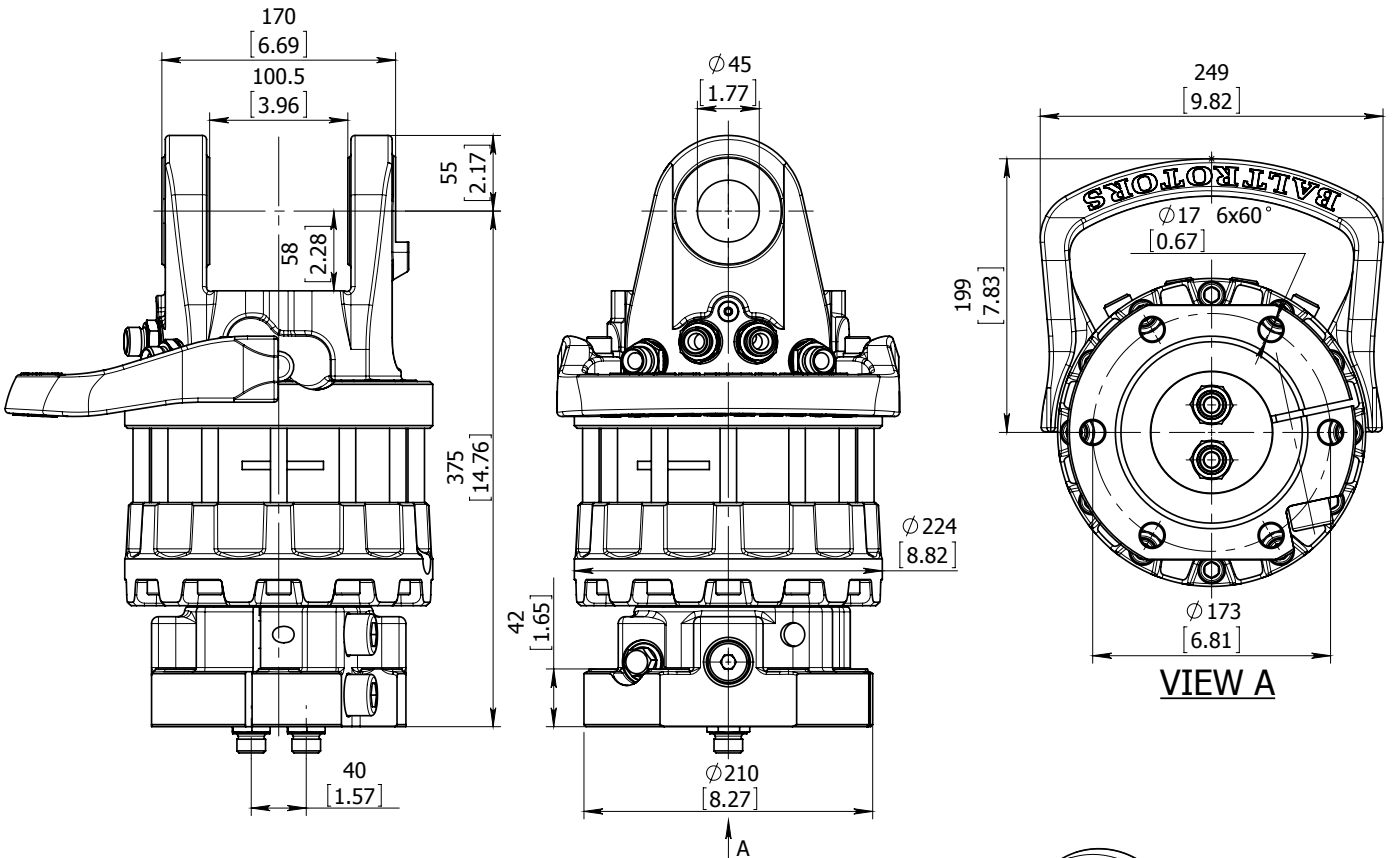
### Connection:



Sheet 1 of 3

09.09.2013

# ROTATOR GR16S



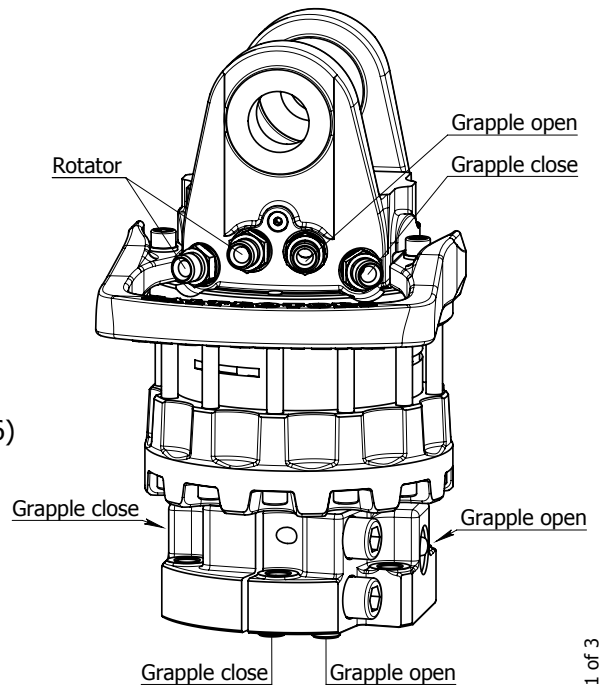
## Technical data

|                                       |                              |
|---------------------------------------|------------------------------|
| Rotation                              | Unlimited                    |
| Max axial load static, KN (lbf)       | +160 (35976)<br>- 90 (20236) |
| Max axial load dynamic, KN (lbf)      | +80 (17988)<br>- 45 (10118)  |
| Torque at 25Mpa (3625psi), Nm (lb ft) | 3400 (2500)                  |
| Rec oilflow, l/min (US gallon)        | 40 (10.6)                    |
| Weight, kg (lb)                       | 71 (157)                     |

### Max working pressure:

|                      |     |                       |       |
|----------------------|-----|-----------------------|-------|
| Rotator              | ←R→ | Max 25 MPa (3625 psi) | G 1/2 |
| Grapple / Tool open  | ←G→ | Max 30 MPa (4350 psi) | G 1/2 |
| Grapple / Tool close | →G← | Max 30 MPa (4350 psi) | G 1/2 |

### Connection:

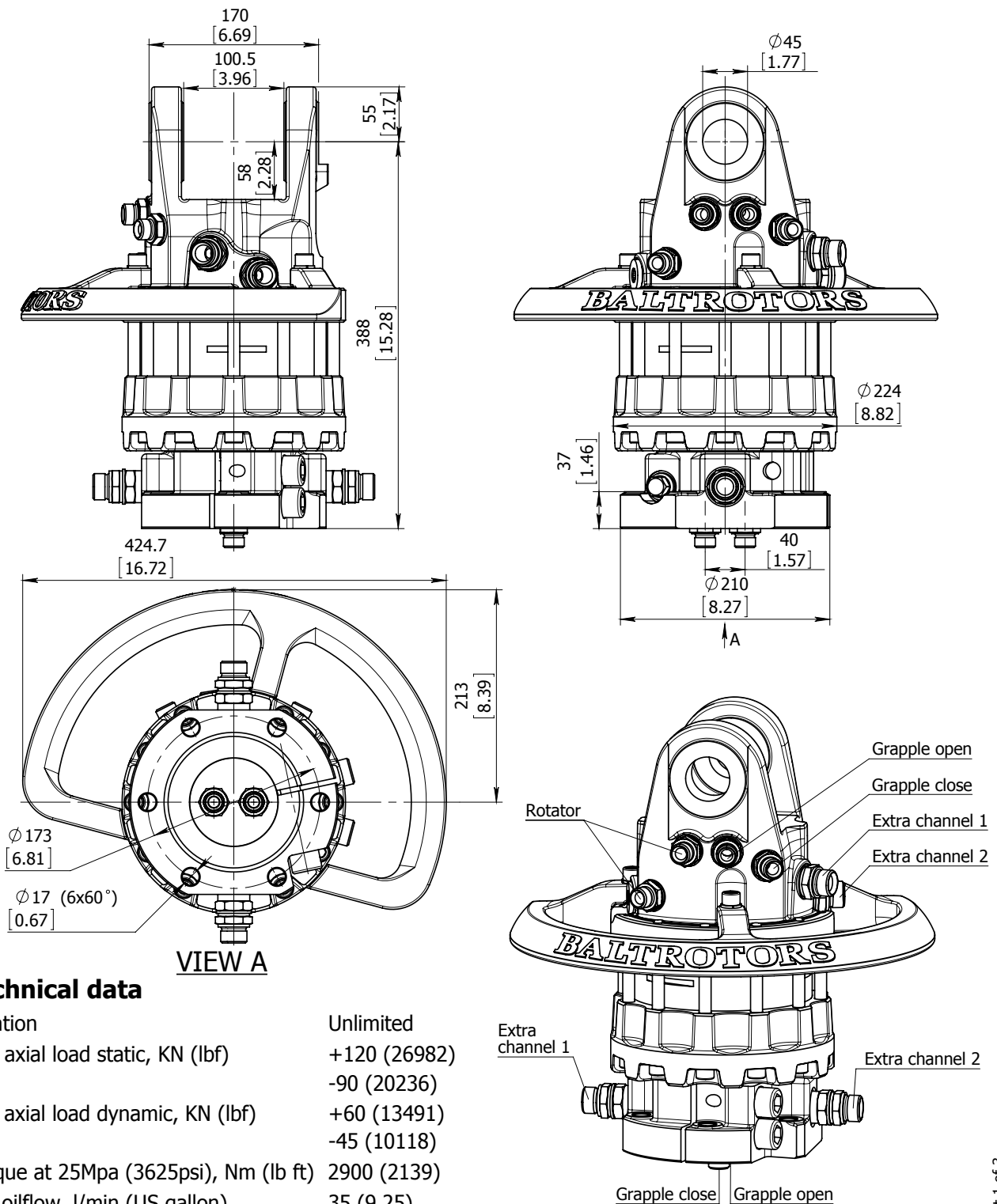


Sheet 1 of 3

20.06.2014

# ROTATOR GRS12S

Specially designed for grapple saw



VIEW A

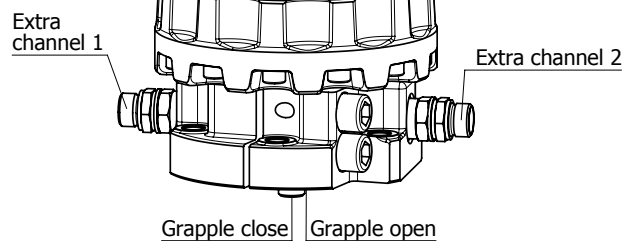
## Technical data

|                                       |                             |
|---------------------------------------|-----------------------------|
| Rotation                              | Unlimited                   |
| Max axial load static, KN (lbf)       | +120 (26982)<br>-90 (20236) |
| Max axial load dynamic, KN (lbf)      | +60 (13491)<br>-45 (10118)  |
| Torque at 25Mpa (3625psi), Nm (lb ft) | 2900 (2139)                 |
| Rec oilflow, l/min (US gallon)        | 35 (9.25)                   |
| Weight, kg (lb)                       | 78 (172)                    |

## Max working pressure:

|                      |     |                       |       |
|----------------------|-----|-----------------------|-------|
| Rotator              | ←R→ | Max 25 MPa (3625 psi) | G 1/2 |
| Grapple / Tool open  | ←G→ | Max 20 MPa (2900 psi) | G 1/2 |
| Grapple / Tool close | →G← | Max 30 MPa (4350 psi) | G 1/2 |
| Extra oil function   | 1 2 | Max 30 MPa (4350 psi) | G 3/4 |

## Connection:

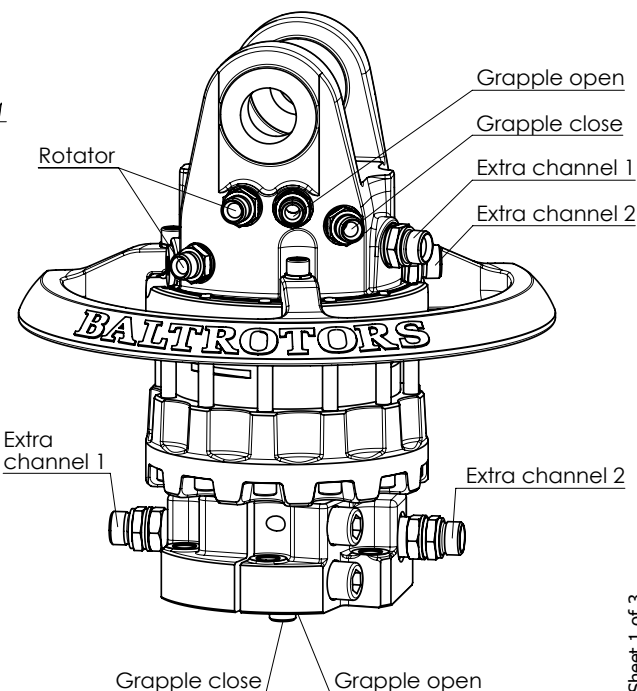
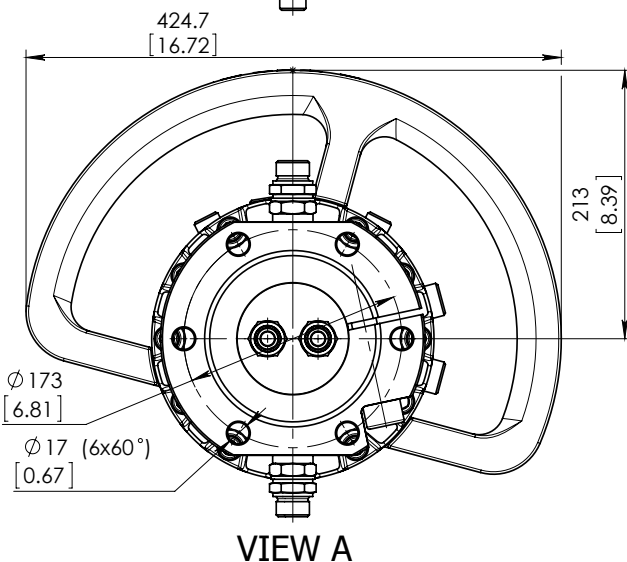
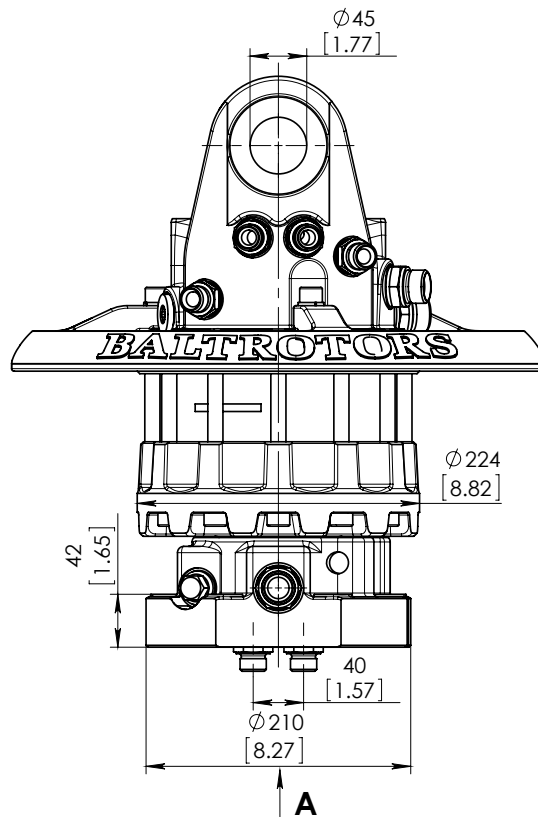
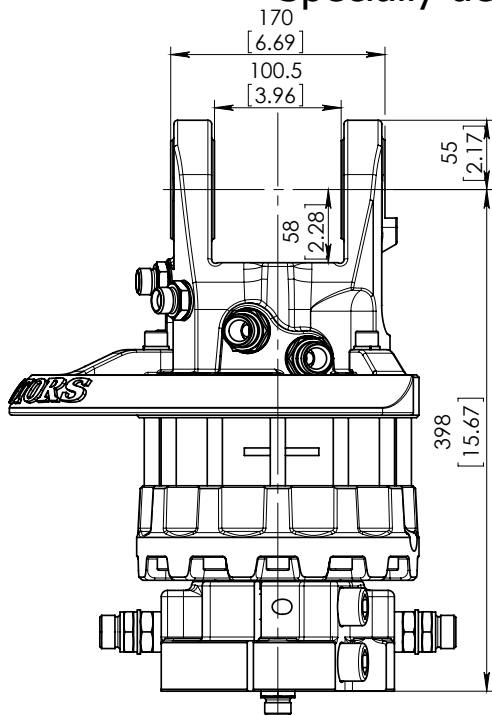


Sheet 1 of 3

16.05.2016.

# ROTATOR GRS16S

Specially designed for grapple saw



## Technical data

|                                       |                             |
|---------------------------------------|-----------------------------|
| Rotation                              | Unlimited                   |
| Max axial load static, KN (lbf)       | +160 (35976)<br>-90 (20236) |
| Max axial load dynamic, KN (lbf)      | +80 (17988)<br>-45 (10118)  |
| Torque at 25Mpa (3625psi), Nm (lb ft) | 3400 (2500)                 |
| Rec oilflow, l/min (US gallon)        | 40 (10.6)                   |
| Weight, kg (lb)                       | 79 (175)                    |

## Max working pressure:

|                      |            |                       |       |
|----------------------|------------|-----------------------|-------|
| Rotator              | <b>←R→</b> | Max 25 MPa (3625 psi) | G 1/2 |
| Grapple / Tool open  | <b>←G→</b> | Max 20 MPa (2900 psi) | G 1/2 |
| Grapple / Tool close | <b>→G←</b> | Max 30 MPa (4350 psi) | G 1/2 |
| Extra oil function   | <b>1 2</b> | Max 30 MPa (4350 psi) | G 3/4 |

## Connection:

Sheet 1 of 3  
16.05.2016.