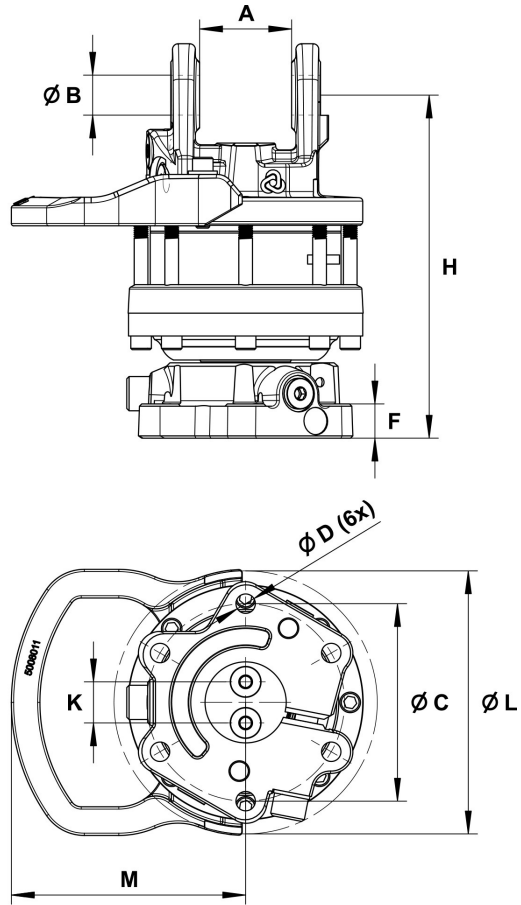
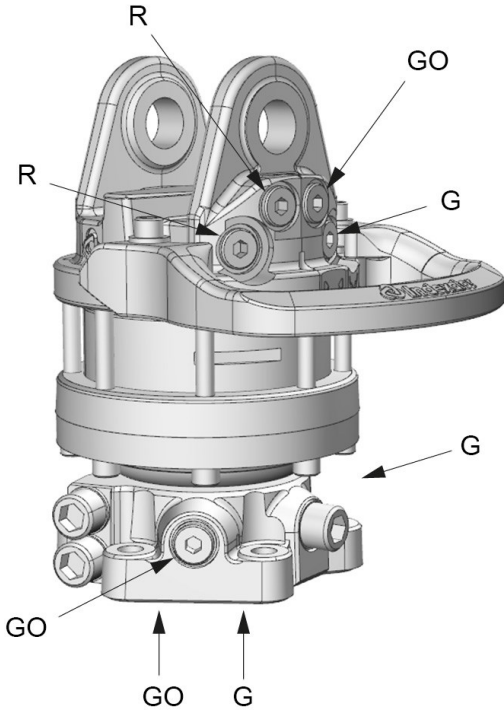











# GV 6

Part No.: 5006285



Upper connection	Lower connection
G 1/2	G 1/2

A: 80,5 mm	B: Ø35 mm	C: Ø173 mm	D: Ø17 mm	F: 30 mm	H: 300 mm	K: 36 mm	L: Ø231 mm	M: 205 mm
---------------	--------------	---------------	--------------	-------------	--------------	-------------	---------------	--------------

 44.9 kg	 360°	 Max 60 kN	 Max 25 kN	 1400 Nm	 Max 25 l/min	 Max 20 MPa	 Max 20 MPa	 Max 30 MPa
--	---	---	---	--	---	--	--	--

Adapter sets are available for alternative connections.

We reserve the right to make product changes. For further technical information relating to integration and hydraulic connections, please contact [rotator@indexator.com](mailto:rotator@indexator.com)